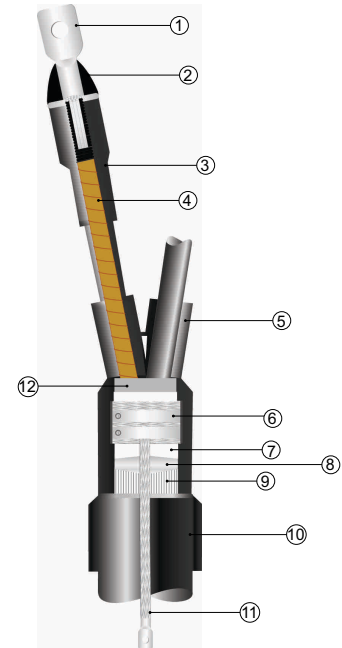


**1.1 kV PVC / XLPE Termination**



**1.1 kV PILC Termination**



XSE/O – PSE/O

**Heat Shrinkable Termination Upto 1.1 kV  
For Low Tension PVC/XLPE/PILC Cable**

**For PVC/XLPE Cable**

1. Lug
2. Lug Sealing Tape
3. Lug Sealing Sleeve
4. XLPE/PVC Insulated Core
5. Weathering Sleeve
6. Worm Drive Clamp
7. Armour
8. Breakout
9. Tinned Copper Braid
10. Inner Sheath

**Special Tail Length Available**

**For PILC Cable**

1. Lug
2. Lug Sealing Tape
3. Lug Sealing Sleeve
4. PILC Insulated Core
5. Weathering Sleeve
6. Worm Drive Clamp
7. Lead Sheath
8. Plumbing
9. Armour
10. Breakout
11. Tinned Copper Braid
12. Inner Sheath

**Special Tail Length Available**

**40**

Years of Experience

**35**

Countries Global Presence

**200**

Plus Skilled Manpower

**4**

World Class Manufacturing Facilities

**50**

Internationally Approved Products

**DENSONS** Heat Shrinkable Terminations and Straight Joints offer unsurpassed technical superiority. Using state-of-the-art manufacturing technology. Densons High Voltage products provide maximum protection against Tracking, Corona Discharge and Dielectric Stresses. Densons High Voltage Products are easily adaptable to cover a broad range of cable sizes, and conforming to various Internationally accepted standards such as **IS, VDE, IEC, IEEE**.

### Specifications:

#### Test

A.C. Dry withstand Voltage	3.5 kV AC
Impulse Voltage withstand	8.0 kV $\pm$ Ve 10 Shots

### Order Reference:

#### For 1.1 kV Indoor Terminations (for PVC/XLPE Cable)

	Cable Size (mm <sup>2</sup> )	Kit Code
<b>PVC/XLPE Indoor Terminations</b>	4 x 16 - 35	XSE - 01
	4 x 50 - 95	XSE - 02
	4 x 120 - 185	XSE - 03
	4 x 225 - 300	XSE - 04
	4 x 400 - 500	XSE - 05

#### For 1.1 kV Outdoor Terminations (for PVC/XLPE Cable)

	Cable Size (mm <sup>2</sup> )	Kit Code
<b>PVC/XLPE Outdoor Terminations</b>	4 x 16 - 35	XSO - 01
	4 x 50 - 95	XSO - 02
	4 x 120 - 185	XSO - 03
	4 x 225 - 300	XSO - 04
	4 x 400 - 500	XSO - 05

#### For 1.1 kV Indoor Terminations (for PILC Cable)

	Cable Size (mm <sup>2</sup> )	Kit Code
<b>PILC Indoor Terminations</b>	4 x 16 - 35	PSE - 01
	4 x 50 - 95	PSE - 02
	4 x 120 - 185	PSE - 03
	4 x 225 - 300	PSE - 04
	4 x 400 - 500	PSE - 05

#### For 1.1 kV Outdoor Terminations (for PILC Cable)

	Cable Size (mm <sup>2</sup> )	Kit Code
<b>PILC Outdoor Terminations</b>	4 x 16 - 35	PSO - 01
	4 x 50 - 95	PSO - 02
	4 x 120 - 185	PSO - 03
	4 x 225 - 300	PSO - 04
	4 x 400 - 500	PSO - 05

In conformance with C 81, VDE 0278 / TAIL I, BS 6346 / 5467, IS 7098 (Part I), IS 1554, IS 694 Type Test Reports Available On Request