

Cross linked Polyolefin Medium and Heavy Wall
Heat Shrinkable Tubing specifically designed for insulating
medium voltage busbar



DBM/DBT Heat Shrinkable Bus-bar Insulation Tubing

- Made from specially formulated radiation cross- linked compounds.
- Thus carefully produced product can provide high resistance to tracking and arcing.
- Used to enhance the insulation properties of bus-bar in switchgear and substation.
- The continuous length of supplied products makes it to be used more conveniently and economically.
- Shrink Temperature: 110°C

40
Years of
Experience

35
Countries
Global
Presence

200
Plus Skilled
Manpower

4
World Class
Manufacturing
Facilities

50
Internationally
Approved
Products

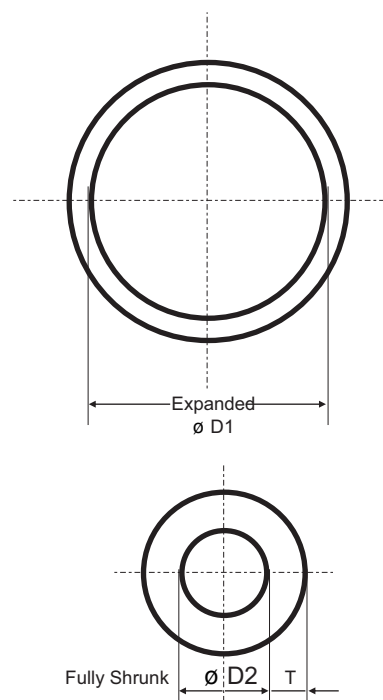
DENSONS Heat Shrinkable Terminations and Straight Joints offer unsurpassed technical superiority. Using state-of-the-art manufacturing technology. Densons High Voltage products provide maximum protection against Tracking, Corona Discharge and Dielectric Stresses. Densons High Voltage Products are easily adaptable to cover a broad range of cable sizes, and conforming to various Internationally accepted standards such as **IS, VDE, IEC, IEEE**.

Dimension Chart for DBM (Medium wall Bus-bar Tubing)

Code	As Supplied	After Recovered	App. bus-bar	Standard length
	ø D1 (max.)	ø D2 (max.)	dim. (mm.)	(m/spool)
DBM - 36/10	25	10	25*3	30
DBM - 30/12	30	12	35*4	30
DBM - 35/14	35	14	35*4	30
DBM - 40/16	40	16	40*5	30
DBM - 50/20	50	20	50*5	15
DBM - 65/25	65	25	65*8	15
DBM - 75/30	75	30	75*8	15
DBM - 100/40	100	40	100*10	15

Dimension Chart for DBT (Thick wall Bus-bar Tubing)

Code	As Supplied	After Recovered	App. bus-bar	Standard length
	ø D1 (max.)	ø D2 (max.)	dim. (mm.)	(m/spool)
DBT - 15/6	15	6	15*3	15
DBT - 25/10	25	10	25*4	15
DBT - 30/12	30	12	35*4	15
DBT - 40/16	40	16	40*5	15
DBT - 50/20	50	20	50*5	15
DBT - 65/25	65	25	65*8	15
DBT - 75/30	75	30	75*8	15
DBT - 85/35	85	35	85*10	15
DBT - 100/40	100	40	100*10	15
DBT - 120/50	120	50	120*12	1000 mm
DBT - 150/60	150	60	150*15	1000 mm



Technical Data:

Property	Typical Data	Test Method
Tensile Strength	10 N / mm	ASTM D 2671
Longitudinal shrinkage	0 to - 10%	ASTM D 2671
Elongation at break	700%	ASTM D 2671
Elongation at break after aging	≥ 500%	ASTM D 2671 / 120°C, 168 hrs.
Dielectric strength	≥ 20 kV / mm	IEC 243
Dielectric constant	Max. 3.0	IEC 250
Volume resistance	10 ¹³ Ω cm.	IEC 93
Flammability (Oxygen index)	≥ 25	ASTM 4589
Copper corrosion	120°C, 168 hrs., no corrosion	ASTM D 2671
Cold bend	-40°C, 4 hrs., no cracking	ASTM D 2671
Water absorption	≤ 0.5%	ISO 62 / 23°C, 14 days.